



TS-MC-01 SOLID CLEAT
4" 5" 6" 8" 10" 12" 15"

TS-MC-02 CLEAT
4" 5" 6" 8" 10"



TS-MC-03 HEAVY CLEAT
6" 7" 8" 10"



TS-MAC-01 ANCHOR CONNECTOR
117mm 155mm



TS-MAC-02 ANCHOR CONNECTOR
90mm 120mm



TS-MTS-01 TOP SLIDE
20mm 22mm 25mm 30mm



TS-MB-01 MALLEABLE DOLPHIN(BOLLARD)
TYPE: 120*60*60



TS-MB-02 MALLEABLE DOLPHIN(BOLLARD)
TYPE: 60*60*60

TS-MB-03 STEEL BOLLARD
TYPE: 4-3/4" 6"



TS-MB-04 HOM BOLLARD
TYPE: 200mm 240mm 300mm 350mm



TS-MBK-01 SKENE BOW CHOCK
TYPE: 6" 8" 10"



TS-MFD-01 FAIRLEAD
TYPE: 210*44*52 200*44*52" 180*44*52



TS-MFD-02 FAIRLEAD WITH TWO WHEELS
TYPE: 40*205 45*260"



东营拓进精密金属有限公司

TOUSIN Dongying Tousin Precision Metal Ltd

Website: <http://www.china-castings.com>

E-Mail: info@china-castings.com

MARINE HARDWARE

Material: AISI316

Finish : Mirror polished



TS-MA-01		BRUCE ANCHOR				
1kg	2kg	2.5kg	3kg	5kg		
7.5kg	10kg	15kg	20kg	25kg		
30kg	50kg					

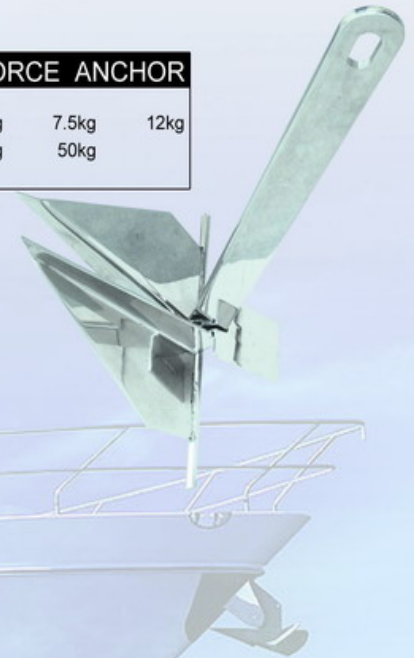


TS-MA-02		DELTA ANCHOR				
5kg	7kg	9kg	10kg	12kg		
16kg	22kg	27kg				



TS-MA-03		PLOUGH ANCHOR				
2kg	5kg	7kg	10kg	12kg		
15kg	22kg	27kg	50kg			

TS-MA-04		DANFORCE ANCHOR				
1.5kg	2.5kg	5.5kg	7.5kg	12kg		
15kg	20kg	30kg	50kg			



TS-MA-05		FOLDING ANCHOR			
0.7kg	1.5kg	2.5kg	3.2kg		
4kg	6kg	7kg	8kg		
10kg	12kg	16kg			

