

Dongying Tousin Precision Metal Ltd

Website: www.china-castings.com

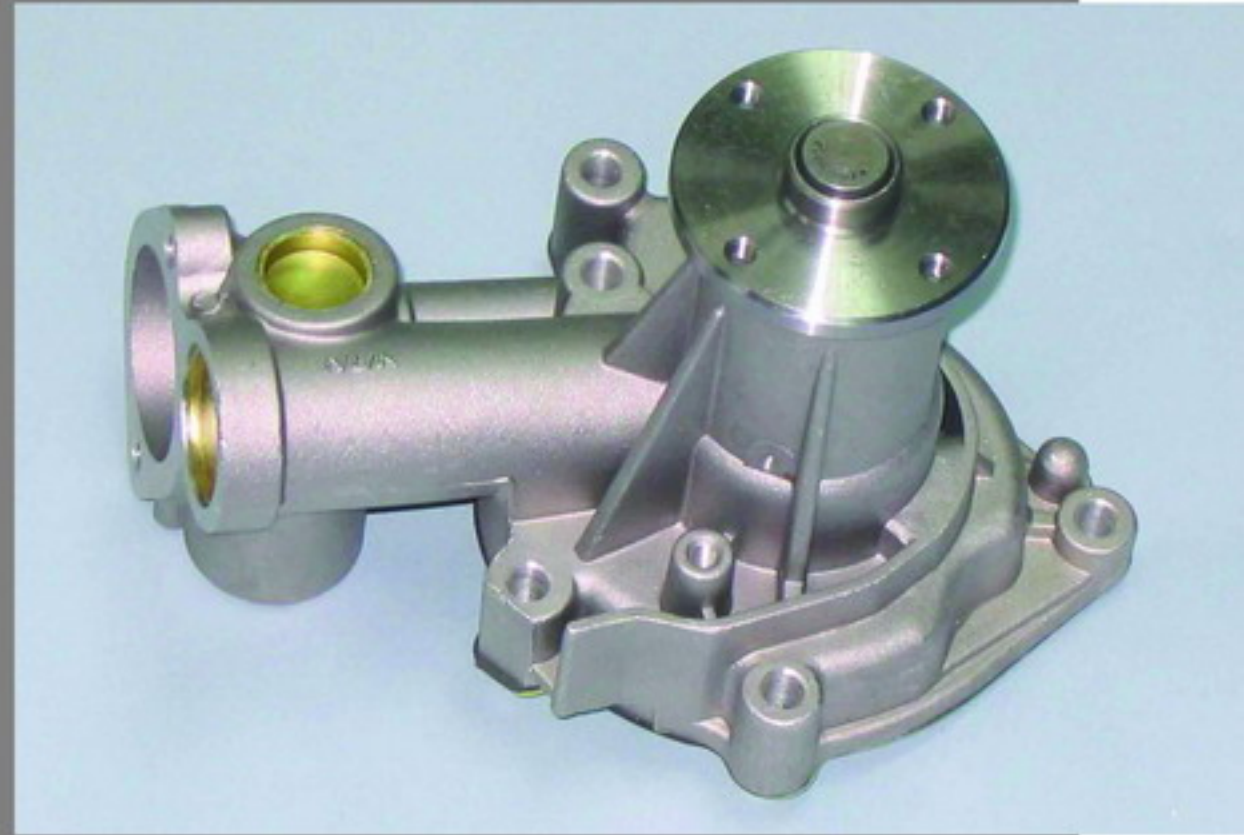
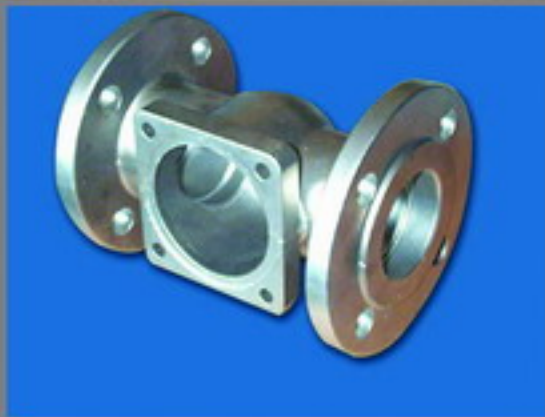
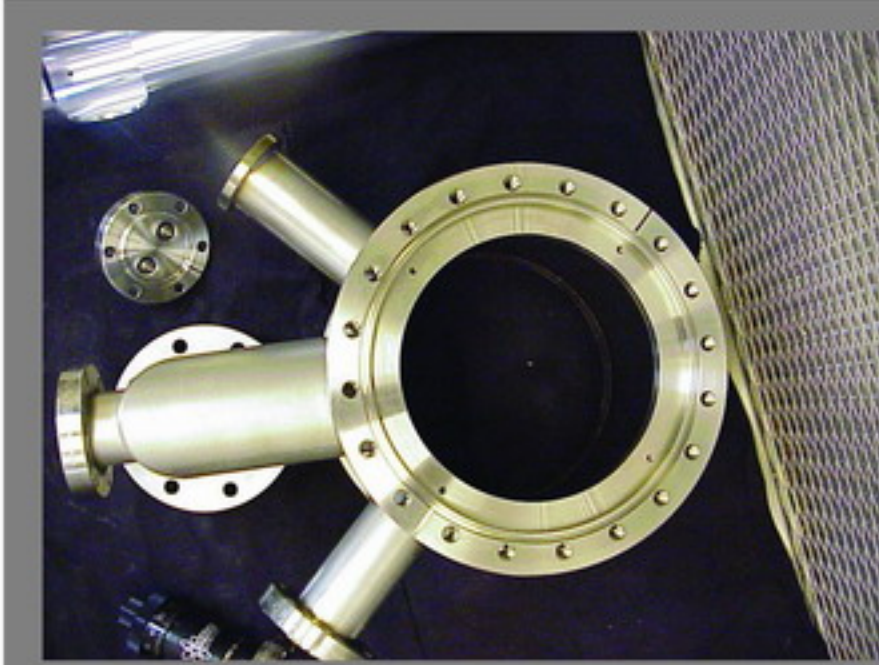
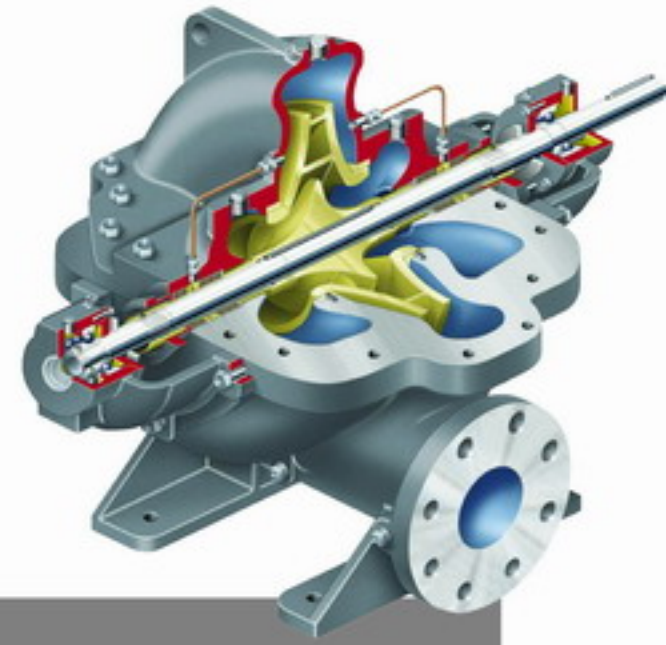
E-mail: info@china-castings.com



Pump Valve Bodies & Accessories

Precision casting parts of pump valve bodies, impellers and other accessories.

- 1) Used for pump valve.
- 2) Material: stainless steel, carbon steel, alloy steel etc.
- 3) Process: investment casting, silica sol casting or water glass casting
- 4) Size: as customer's requirement.
- 5) Special design available.



Website: www.china-castings.com

E-mail: info@china-castings.com



东营拓进精密金属有限公司

Dongying Tousin Precision Metal Ltd

Website: www.china-castings.com

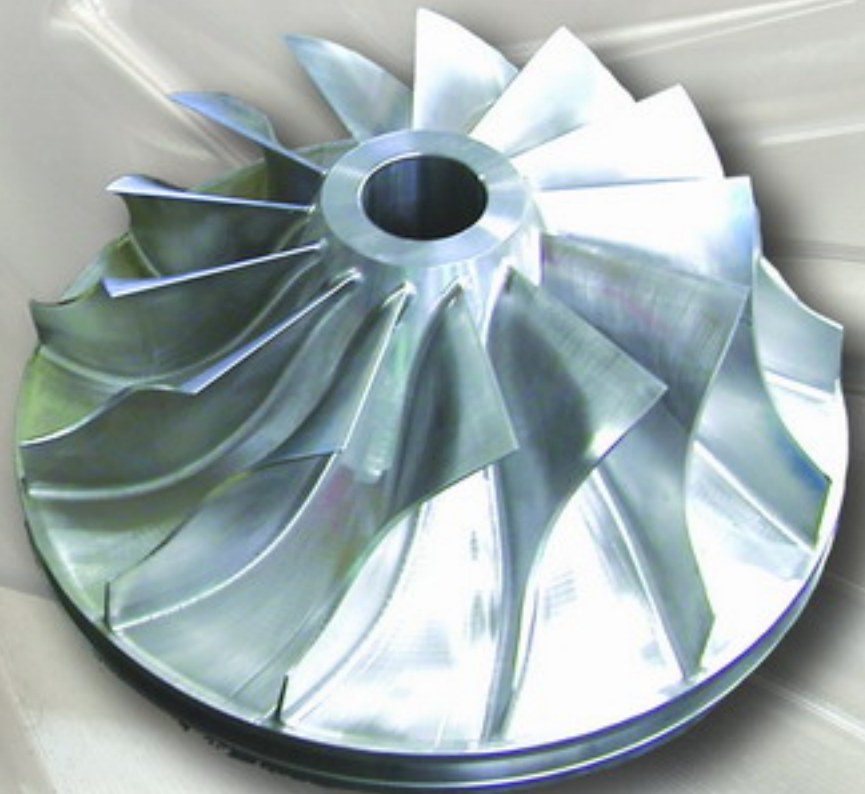
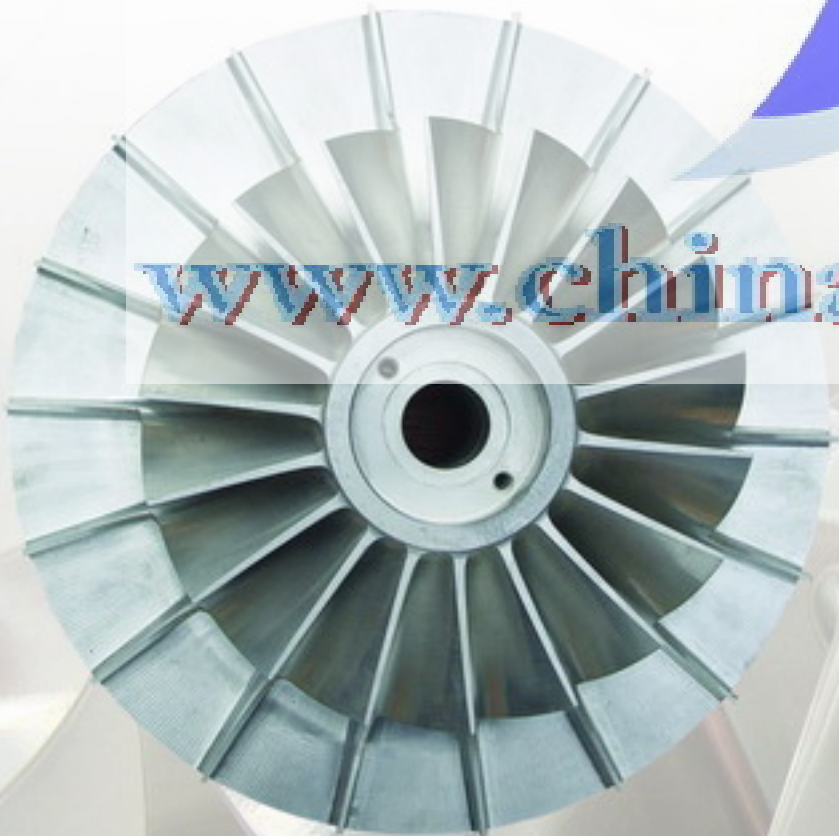
E-mail: info@china-castings.com



TOUSIN

Impellers

www.china-castings.com



Dongying Tousin Precision Metal Ltd

Website: www.china-castings.com

E-mail: info@china-castings.com